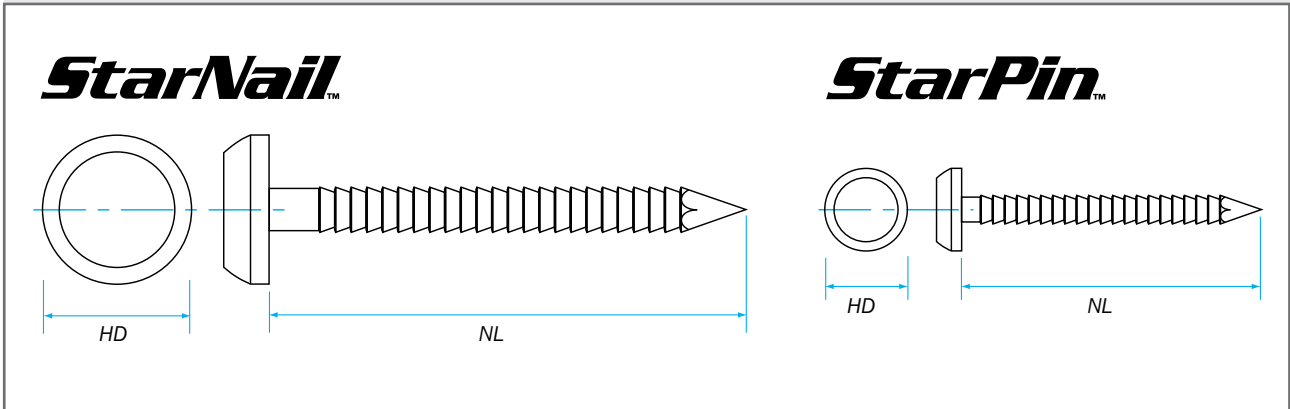


StarNail/StarPin Technical Data Sheet



High strength, highly stable, tough polymer headed pins and nails. StarNail and StarPin fasteners offer a colourfast fixing solution for all manufacturers PVCu roofline products.

- Resistant to weathering and ultraviolet
- High corrosion resistance
- High thermal stability
- Resistant to chemical attack
- Low profile polymer head
- High impact - no head failure
- Maximum pull out resistance
- Range of colours available

Data

Type	Material	Shank	HD	NL
StarNail	A4 / 316 Stainless Steel	3.35mm	12mm	50mm, 65mm
StarPin	A4 / 316 Stainless Steel	2.15mm	6.6mm	30mm, 40mm

Testing

Tested to ASTM D 638, 790 & 256 for tensile and impact properties. Impact Test - completed using a 0.73kg mass with an impact area of 22mm. Impact energy of 6.675N per meter.

Polymer head moulding grade PA66 resin 'suitable for outdoor use with respect to exposure to Ultraviolet light'. 1000 hour accelerated testing (equivalent to 10 years exposure) in Northern European sunlight conditions. Water exposure and Immersion in accordance with UL 746C.

Melting Point under test ASTM D 3418 – 262°C / 504°F. Flammability – UL94 rating at minimum thickness – flame class V-2. UL94 minimum thickness tested – 0.71mm / 0.028"

Maximum Delta E value 01.71 on all colours.



Rapierstar Limited
 Star Business Park, Macclesfield, Cheshire SK11 9JA
 Tel: +44(0)1260 223311 Fax: +44(0)1260 223399
 email: info@rapierstar.com

www.rapierstar.com



Rapierstar STARPIN and STARNAIL Product Reference

Item	RAPIERSTAR No.	Named Colour	Description1	Description 2	Barcode	
Standard Colours	1	PIN 30 WHITE 9016	WHITE	Polymer Head Ring Shank Pin	A4 Stainless Steel	5055159022972
	2	PIN 40 WHITE 9016	WHITE	Polymer Head Ring Shank Pin	A4 Stainless Steel	5055159022989
	3	NAIL 50 WHITE 9016	WHITE	Polymer Head Ring Shank Nail	A4 Stainless Steel	5055159022996
	4	NAIL 65 WHITE 9016	WHITE	Polymer Head Ring Shank Nail	A4 Stainless Steel	5055159023009
	5	PIN 30 BLACK 9005	BLACK	Polymer Head Ring Shank Pin	A4 Stainless Steel	5055159023016
	6	PIN 40 BLACK 9005	BLACK	Polymer Head Ring Shank Pin	A4 Stainless Steel	5055159023023
	7	NAIL 50 BLACK 9005	BLACK	Polymer Head Ring Shank Nail	A4 Stainless Steel	5055159023030
	8	NAIL 65 BLACK 9005	BLACK	Polymer Head Ring Shank Nail	A4 Stainless Steel	5055159023047
	9	PIN 30 BROWN 8011	BROWN	Polymer Head Ring Shank Pin	A4 Stainless Steel	5055159023054
	10	PIN 40 BROWN 8011	BROWN	Polymer Head Ring Shank Pin	A4 Stainless Steel	5055159023061
	11	NAIL 50 BROWN 8011	BROWN	Polymer Head Ring Shank Nail	A4 Stainless Steel	5055159023078
	12	NAIL 65 BROWN 8011	BROWN	Polymer Head Ring Shank Nail	A4 Stainless Steel	5055159023085
	13	PIN 30 TAN 8001	TAN	Polymer Head Ring Shank Pin	A4 Stainless Steel	5055159023092
	14	PIN 40 TAN 8001	TAN	Polymer Head Ring Shank Pin	A4 Stainless Steel	5055159023108
	15	NAIL 50 TAN 8001	TAN	Polymer Head Ring Shank Nail	A4 Stainless Steel	5055159023115
	16	NAIL 65 TAN 8001	TAN	Polymer Head Ring Shank Nail	A4 Stainless Steel	5055159023122
	17	PIN 30 GREY 7016	ANTHRACITE GREY	Polymer Head Ring Shank Pin	A4 Stainless Steel	5055159023139
	18	PIN 40 GREY 7016	ANTHRACITE GREY	Polymer Head Ring Shank Pin	A4 Stainless Steel	5055159023146
	19	NAIL 50 GREY 7016	ANTHRACITE GREY	Polymer Head Ring Shank Nail	A4 Stainless Steel	5055159023153
	20	NAIL 65 GREY 7016	ANTHRACITE GREY	Polymer Head Ring Shank Nail	A4 Stainless Steel	5055159023160
	21	PIN 30 GREEN 14C35	CHARTWELL GREEN	Polymer Head Ring Shank Pin	A4 Stainless Steel	5055159023177
	22	PIN 40 GREEN 14C35	CHARTWELL GREEN	Polymer Head Ring Shank Pin	A4 Stainless Steel	5055159023184
	23	NAIL 50 GREEN 14C35	CHARTWELL GREEN	Polymer Head Ring Shank Nail	A4 Stainless Steel	5055159023191
	24	NAIL 65 GREEN 14C35	CHARTWELL GREEN	Polymer Head Ring Shank Nail	A4 Stainless Steel	5055159023207
	25	NAIL 65 BROWN 8017	DARK BROWN	Polymer Head Ring Shank Nail	A4 Stainless Steel	5055159023795
	26	PIN 30 BROWN 8017	DARK BROWN	Polymer Head Ring Shank Nail	A4 Stainless Steel	5055159022958
	27	NAIL 50 BROWN 8017	DARK BROWN	Polymer Head Ring Shank Nail	A4 Stainless Steel	5055159023825
	28	PIN 40 BROWN 8017	DARK BROWN	Polymer Head Ring Shank Nail	A4 Stainless Steel	5055159023863
	29	CLADDING PIN 25 S	CLADDING PIN	Ring Shank Pin	A4 Stainless Steel	5055159008754
	30	CLADDING PIN 30 S	CLADDING PIN	Ring Shank Pin	A4 Stainless Steel	5055159008778
Custom Colours	31	PIN 40 BROWN 8003	MID BROWN	Polymer Head Ring Shank Pin	A4 Stainless Steel	5055159023214
	32	NAIL 65 BROWN 8003	MID BROWN	Polymer Head Ring Shank Nail	A4 Stainless Steel	5055159023221
	33	PIN 40 GREY 7015	SLATE GREY	Polymer Head Ring Shank Pin	A4 Stainless Steel	5055159023238
	34	NAIL 65 GREY 7015	SLATE GREY	Polymer Head Ring Shank Nail	A4 Stainless Steel	5055159023245
	35	PIN 40 BROWN 1011	LIGHT BROWN	Polymer Head Ring Shank Pin	A4 Stainless Steel	5055159023252
	36	NAIL 65 BROWN 1011	LIGHT BROWN	Polymer Head Ring Shank Nail	A4 Stainless Steel	5055159023269
	37	PIN 40 RED 3011	RED	Polymer Head Ring Shank Pin	A4 Stainless Steel	5055159023290
	38	NAIL 65 RED 3011	RED	Polymer Head Ring Shank Nail	A4 Stainless Steel	5055159023306
	39	PIN 40 BLUE 5011	STEEL BLUE	Polymer Head Ring Shank Pin	A4 Stainless Steel	5055159023313
	40	NAIL 65 BLUE 5011	STEEL BLUE	Polymer Head Ring Shank Nail	A4 Stainless Steel	5055159023320
	41	PIN 40 GREEN 6009	RUSTIC GREEN	Polymer Head Ring Shank Pin	A4 Stainless Steel	5055159023337
	42	NAIL 65 GREEN 6009	RUSTIC GREEN	Polymer Head Ring Shank Nail	A4 Stainless Steel	5055159023344
	43	PIN 40 GREY 7004	LIGHT GREY	Polymer Head Ring Shank Pin	A4 Stainless Steel	5055159023351
	44	NAIL 65 GREY 7004	LIGHT GREY	Polymer Head Ring Shank Nail	A4 Stainless Steel	5055159023368
	45	PIN 40 CREAM 9001	CREAM	Polymer Head Ring Shank Pin	A4 Stainless Steel	5055159023375
	46	NAIL 65 CREAM 9001	CREAM	Polymer Head Ring Shank Nail	A4 Stainless Steel	5055159023382