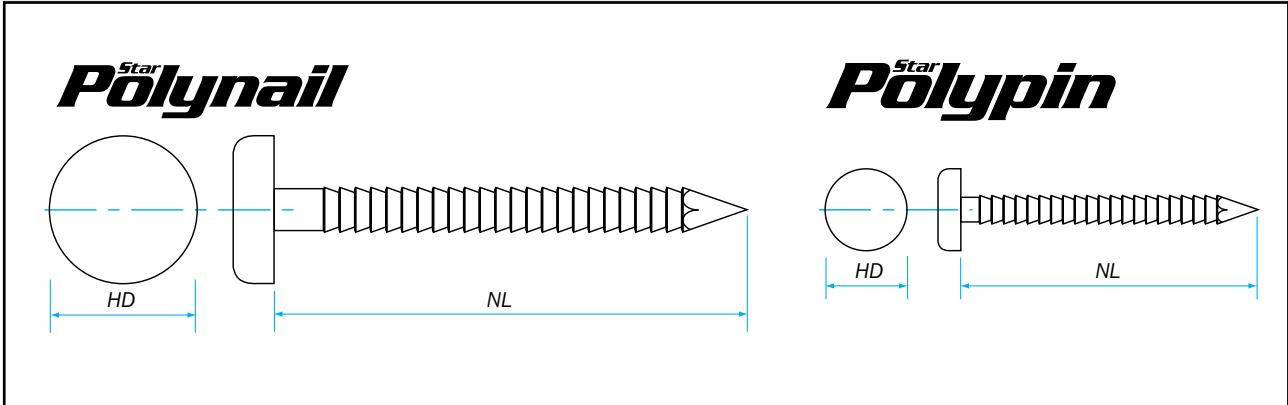


StarPolynail/StarPolypin Technical Data Sheet



High strength, highly stable, tough polymer headed pins and nails. StarPolynail and StarPolypin fasteners offer a colourfast fixing solution for all manufacturers PVCu roofline products.

- Resistant to weathering and ultraviolet
- High corrosion resistance
- High thermal stability
- Resistant to chemical attack
- Low profile polymer head
- High impact - no head failure
- Maximum pull out resistance
- Range of colours available

Data

Type	Material	Shank	HD	NL
StarPolynail	A4 / 316 Stainless Steel	3.7mm	12mm	50mm, 65mm
StarPolypin	A4 / 316 Stainless Steel	2.3mm	6.6mm	30mm, 40mm



Rapierstar Limited
 Star Business Park, Macclesfield, Cheshire SK11 9JA
 Tel: +44(0)1260 223311 Fax: +44(0)1260 223399
 email: info@rapierstar.com

www.rapierstar.com

